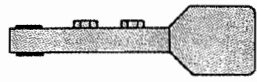
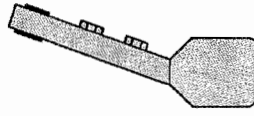


# Ratchet Heads

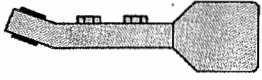
## Straight and Angle Ratchet Heads



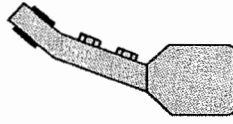
Straight



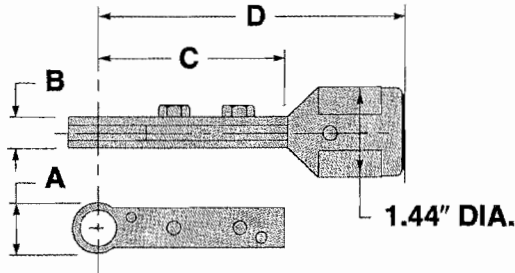
20° Angle Bent Housing



20° Angle Bent Plates



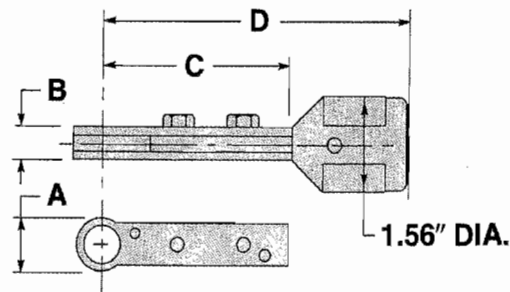
40° Angle Bent Plates & Bent Housing



## Ratchet Heads

Ratchet Head Code No.	Ratchet Head Part No.	Description		Max. Hex Size		Width A in.	Thick-ness B in.	Length C in.	Length D in.	Weight without Socket lb. oz.
		Type	Length	in.	mm					
000	AA-0910	Straight	Standard	1/4	6	9/16	9/16	2 7/8	4 11/16	11
001	AA-1211	Straight	Standard	7/16	11	3/4	1 1/32	2 7/8	4 11/16	12
002	AA-1211-1	20° Bent Hsg.-RH								10
003	AA-1211-2	20° Bent Hsg.-LH								10
004	AB-1211	Straight								1 0
005	AB-1211-1	20° Bent Hsg.-RH	Extended 2"	7/16	11	3/4	1 1/32	4 7/8	6 11/16	14
006	AB-1211-2	20° Bent Hsg.-LH								14
007	AA-1216	Straight	Standard	7/16	11	3/4	1/2	2 7/8	4 11/16	13
008	AA-1216-1	20° Bent Hsg.-RH								12
009	AA-1216-2	20° Bent Hsg.-LH								12
010	AB-1216	Straight								1 1
011	AB-1216-1	20° Bent Hsg.-RH	Extended 2"	7/16	11	3/4	1/2	4 7/8	6 11/16	1 0
012	AB-1216-2	20° Bent Hsg.-LH								1 0
013	AA-1311	Straight	Standard	1/2	13	13/16	1 1/32	2 7/8	4 11/16	12
014	AA-1311-1	20° Bent Hsg.-RH								10
015	AA-1311-2	20° Bent Hsg.-LH								10
016	AB-1311	Straight								1 0
017	AB-1311-1	20° Bent Hsg.-RH	Extended 2"	1/2	13	13/16	1 1/32	4 7/8	6 11/16	14
018	AB-1311-2	20° Bent Hsg.-LH								14
019	AA-1316	Straight	Standard	1/2	13	13/16	1/2	2 7/8	4 11/16	13
020	AA-1316-1	20° Bent Hsg.-RH								12
021	AA-1316-2	20° Bent Hsg.-LH								12
022	AB-1316	Straight								1 1
023	AB-1316-1	20° Bent Hsg.-RH	Extended 2"	1/2	13	13/16	1/2	4 7/8	6 11/16	1 0
024	AB-1316-2	20° Bent Hsg.-LH								1 0

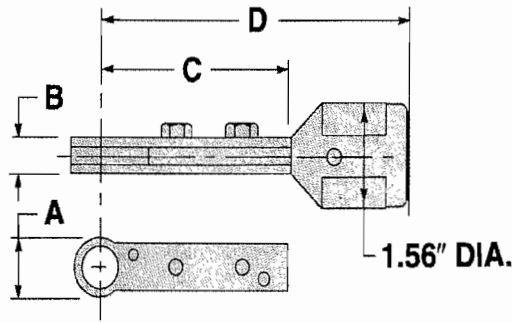
# Ratchet Heads



## Ratchet Heads

Ratchet Head Code No.	Ratchet Head Part No.	Description		Max. Hex Size		Width A in.	Thick-ness B in.	Length C in.	Length D in.	Weight without Socket lb. oz.
		Type	Length	in.	mm					
050	BA-1211	Straight	Standard	7/16	11	3/4	1 1/32	2 7/8	4 15/16	14
051	BA-1211-1	20° Bent Hsg.-RH								12
052	BA-1211-2	20° Bent Hsg.-LH								12
053	BB-1211	Straight	Extended 2"	7/16	11	3/4	1 1/32	4 7/8	6 15/16	1 2
054	BB-1211-1	20° Bent Hsg.-RH								1 0
055	BB-1211-2	20° Bent Hsg.-LH								1 0
056	BA-1216	Straight	Standard	7/16	11	3/4	1/2	2 7/8	4 15/16	15
057	BA-1216-1	20° Bent Hsg.-RH								14
058	BA-1216-2	20° Bent Hsg.-LH								14
059	BB-1216	Straight	Extended 2"	7/16	11	3/4	1/2	4 7/8	6 15/16	1 3
060	BB-1216-1	20° Bent Hsg.-RH								1 2
061	BB-1216-2	20° Bent Hsg.-LH								1 2
062	BA-1311	Straight	Standard	1/2	13	13/16	1 1/32	2 7/8	4 15/16	14
063	BA-1311-1	20° Bent Hsg.-RH								12
064	BA-1311-2	20° Bent Hsg.-LH								12
065	BB-1311	Straight	Extended 2"	1/2	13	13/16	1 1/32	4 7/8	6 15/16	1 2
066	BB-1311-1	20° Bent Hsg.-RH								1 0
067	BB-1311-2	20° Bent Hsg.-LH								1 0
068	BA-1316	Straight	Standard	1/2	13	13/16	1/2	2 7/8	4 15/16	15
069	BA-1316-1	20° Bent Hsg.-RH								14
070	BA-1316-2	20° Bent Hsg.-LH								14
071	BB-1316	Straight	Extended 2"	1/2	13	13/16	1/2	4 7/8	6 15/16	1 3
072	BB-1316-1	20° Bent Hsg.-RH								1 2
073	BB-1316-2	20° Bent Hsg.-LH								1 2

# Ratchet Heads

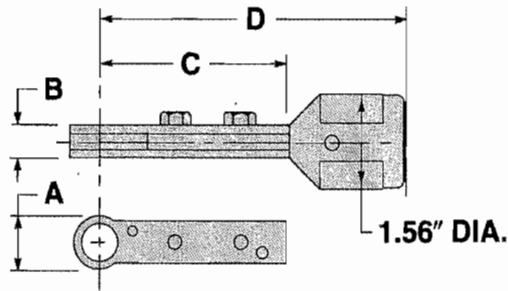


## Ratchet Heads

Ratchet Head Code No.	Ratchet Head Part No.	Description		Max. Hex Size		Width A in.	Thick-ness B in.	Length C in.	Length D in.	Weight without Socket lb. oz.	
		Type	Length	in.	mm						
074	BA-1413	Straight		1/2	14	7/8	13/32	3 1/8	5 1/4	15	
075	BA-1413-1	20° Bent Hsg.-RH								Standard	14
076	BA-1413-2	20° Bent Hsg.-LH									14
077	BB-1413	Straight		Extended 2"	14	7/8	13/32	5 1/8	7 1/4	1 3	
078	BB-1413-1	20° Bent Hsg.-RH								1 2	
079	BB-1413-2	20° Bent Hsg.-LH								1 2	
080	BA-1415	Straight		1/2	14	7/8	15/32	3 1/8	5 1/4	15	
081	BA-1415-1	20° Bent Hsg.-RH								Standard	14
082	BA-1415-2	20° Bent Hsg.-LH									14
083	BB-1415	Straight		Extended 2"	14	7/8	15/32	5 1/8	7 1/4	1 3	
084	BB-1415-1	20° Bent Hsg.-RH								1 2	
085	BB-1415-2	20° Bent Hsg.-LH								1 2	
086	BA-1418	Straight		1/2	14	7/8	9/16	3 1/8	5 1/4	1 0	
087	BA-1418-1	20° Bent Hsg.-RH								Standard	15
088	BA-1418-2	20° Bent Hsg.-LH									15
089	BB-1418	Straight		Extended 2"	14	7/8	9/16	5 1/8	7 1/4	1 4	
090	BB-1418-1	20° Bent Hsg.-RH								1 3	
091	BB-1418-2	20° Bent Hsg.-LH								1 3	
092	BC-1418	Straight		Extended 3"	14	7/8	9/16	6 1/8	8 1/4	1 7	
093	BC-1418-1	20° Bent Hsg.-RH								1 6	
094	BC-1418-2	20° Bent Hsg.-LH								1 6	



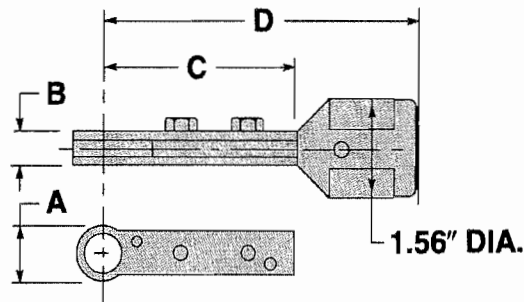
# Ratchet Heads



## Ratchet Heads

Ratchet Head Code No.	Ratchet Head Part No.	Description		Max. Hex Size		Width A in.	Thick-ness B in.	Length C in.	Length D in.	Weight without Socket	
		Type	Length	in.	mm					lb.	oz.
124	BA-1613	Straight	Standard	5/8	16	1	13/32	3 1/8	5 1/4	1	2
125	BA-1613-1	20° Bent Hsg.—RH								1	1
126	BA-1613-2	20° Bent Hsg.—LH								1	1
127	BB-1613	Straight	Extended 2"	5/8	16	1	13/32	5 1/8	7 1/4	1	5
128	BB-1613-1	20° Bent Hsg.—RH								1	4
129	BB-1613-2	20° Bent Hsg.—LH								1	4
130	BA-1615	Straight	Standard	5/8	16	1	15/32	3 1/8	5 1/4	1	2
131	BA-1615-1	20° Bent Hsg.—RH								1	1
132	BA-1615-2	20° Bent Hsg.—LH								1	1
133	BB-1615	Straight	Extended 2"	5/8	16	1	15/32	5 1/8	7 1/4	1	5
134	BB-1615-1	20° Bent Hsg.—RH								1	4
135	BB-1615-2	20° Bent Hsg.—LH								1	4
136	BA-1618	Straight	Standard	5/8	16	1	9/16	3 1/8	5 1/4	1	2
137	BA-1618-1	20° Bent Hsg.—RH								1	1
138	BA-1618-2	20° Bent Hsg.—LH								1	1
139	BA-1618-3	20° Bent Plates—RH								1	2
140	BA-1618-4	20° Bent Plates—LH								1	2
141	BA-1618-5	40° Bent Hsg./Plates—RH								1	1
142	BA-1618-6	40° Bent Hsg./Plates—LH	1	1							
143	BB-1618	Straight	Extended 2"	5/8	16	1	9/16	5 1/8	7 1/4	1	5
144	BB-1618-1	20° Bent Hsg.—RH								1	4
145	BB-1618-2	20° Bent Hsg.—LH								1	4
146	BB-1618-3	20° Bent Plates—RH								1	5
147	BB-1618-4	20° Bent Plates—LH								1	5
148	BB-1618-5	40° Bent Hsg./Plates—RH								1	4
149	BB-1618-6	40° Bent Hsg./Plates—LH	1	4							
150	BC-1618	Straight	Extended 3"	5/8	16	1	9/16	6 1/8	8 1/4	1	8
151	BC-1618-1	20° Bent Hsg.—RH								1	7
152	BC-1618-2	20° Bent Hsg.—LH								1	7

# Ratchet Heads

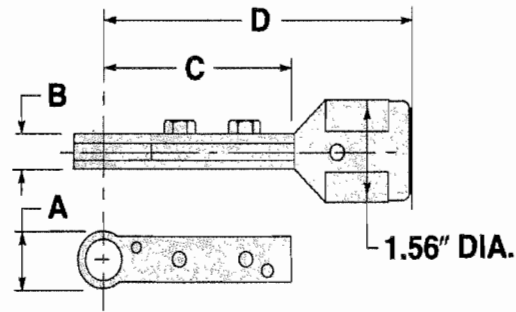


## Ratchet Heads

Ratchet Head Code No.	Ratchet Head Part No.	Description		Max. Hex Size		Width A in.	Thick-ness B in.	Length C in.	Length D in.	Weight without Socket lb. oz.
		Type	Length	in.	mm					
153	BA-1813	Straight	Standard	5/8	16	1 1/8	13/32	3 3/8	5 1/4	1 2
154	BA-1813-1	20° Bent Hsg.-RH								1 1
155	BA-1813-2	20° Bent Hsg.-LH								1 1
156	BB-1813	Straight	Extended 2"	5/8	16	1 1/8	13/32	5 1/8	7 1/4	1 5
157	BB-1813-1	20° Bent Hsg.-RH								1 4
158	BB-1813-2	20° Bent Hsg.-LH								1 4
159	BA-1815	Straight	Standard	5/8	16	1 1/8	15/32	3 3/8	5 1/4	1 2
160	BA-1815-1	20° Bent Hsg.-RH								1 1
161	BA-1815-2	20° Bent Hsg.-LH								1 1
162	BB-1815	Straight	Extended 2"	5/8	16	1 1/8	15/32	5 1/8	7 1/4	1 5
163	BB-1815-1	20° Bent Hsg.-RH								1 4
164	BB-1815-2	20° Bent Hsg.-LH								1 4
165	BA-1818	Straight	Standard	5/8	16	1 1/8	9/16	3 3/8	5 1/4	1 2
166	BA-1818-1	20° Bent Hsg.-RH								1 1
167	BA-1818-2	20° Bent Hsg.-LH								1 1
168	BA-1818-3	20° Bent Plates-RH								1 2
169	BA-1818-4	20° Bent Plates-LH								1 2
170	BA-1818-5	40° Bent Hsg./Plates-RH								1 1
171	BA-1818-6	40° Bent Hsg./Plates-LH	1 1							
172	BB-1818	Straight	Extended 2"	5/8	16	1 1/8	9/16	5 1/8	7 1/4	1 5
173	BB-1818-1	20° Bent Hsg.-RH								1 4
174	BB-1818-2	20° Bent Hsg.-LH								1 4
175	BB-1818-3	20° Bent Plates-RH								1 5
176	BB-1818-4	20° Bent Plates-LH								1 5
177	BB-1818-5	40° Bent Hsg./Plates-RH								1 4
178	BB-1818-6	40° Bent Hsg./Plates-LH	1 4							
179	BC-1818	Straight	Extended 3"	5/8	16	1 1/8	9/16	6 1/8	8 1/4	1 8
180	BC-1818-1	20° Bent Hsg.-RH								1 7
181	BC-1818-2	20° Bent Hsg.-LH								1 7



# Ratchet Heads



## Ratchet Heads

Ratchet Head Code No.	Ratchet Head Part No.	Description		Max. Hex Size		Width A in.	Thick-ness B in.	Length C in.	Length D in.	Weight without Socket		
		Type	Length	in.	mm					lb.	oz.	
211	BA-2518	Straight		Standard	15/16	24	19/16	9/16	3/4	53/8	1	4
212	BA-2518-1	20° Bent Hsg.-RH									1	3
213	BA-2518-2	20° Bent Hsg.-LH									1	3
214	BA-2718	Straight-Open End		Standard	3/4	19	111/16	9/16	3/8	51/4	1	3
215	BA-2718-1	20° Bent Hsg.-RH O.E.									1	2
216	BA-2920	Straight		Standard	11/8	29	113/16	5/8	31/2	55/8	1	6
217	BA-2920-1	20° Bent Hsg.-RH									1	5
218	BA-2920-2	20° Bent Hsg.-LH									1	5
219	BA-3720	Straight		Standard	15/8	29	25/16	5/8	33/4	57/8	1	9
220	BA-3720-1	20° Bent Hsg.-RH									1	8
221	BA-3720-2	20° Bent Hsg.-LH									1	8