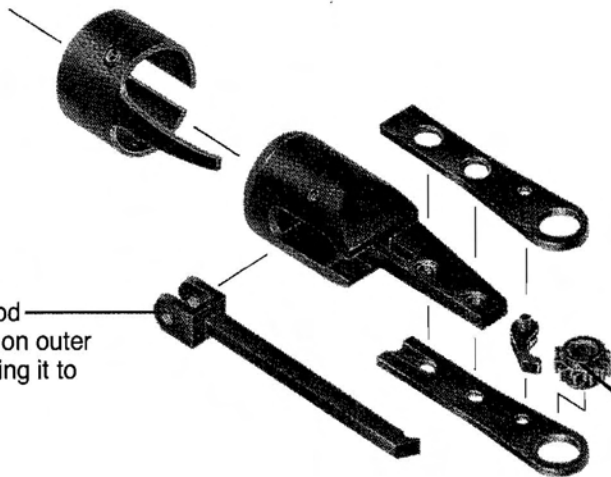


Versatile Ratchet Heads

Ratchet head is alloyed tempered steel, carefully heat treated, for maximum life with minimum wear. Available in standard, thin, extended, 20° angle and 40° angle, right and left hand rotation, closed and open configurations.

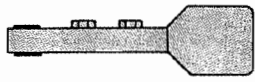
High quality steel push rod transmits power to teeth on outer diameter of socket, causing it to rotate.



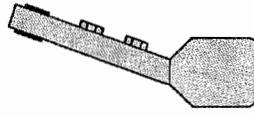
Sockets are available for any application—hex or square head fasteners, standard and thin thicknesses, extended, blind hex, threaded adapter, grooved.

Ratchet Heads

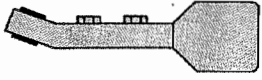
Straight and Angle Ratchet Heads



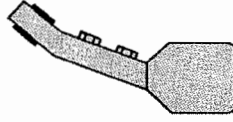
Straight



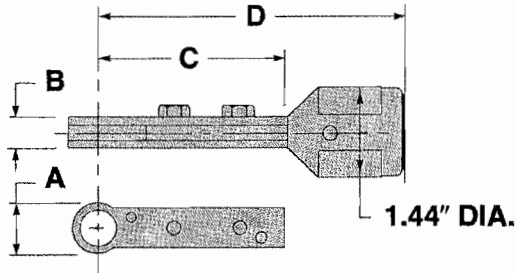
20° Angle Bent Housing



20° Angle Bent Plates



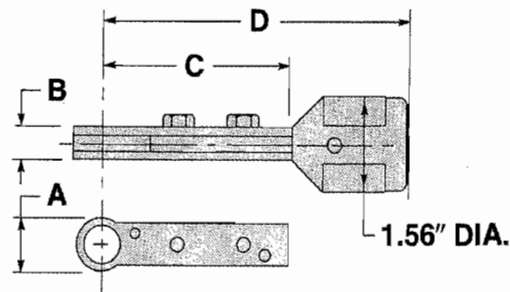
40° Angle Bent Plates & Bent Housing



Ratchet Heads

| Ratchet Head Code No. | Ratchet Head Part No. | Description | | Max. Hex Size | | Width A in. | Thick-ness B in. | Length C in. | Length D in. | Weight without Socket lb. oz. |
|-----------------------|-----------------------|------------------|-------------|---------------|----|-------------|------------------|--------------|--------------|-------------------------------|
| | | Type | Length | in. | mm | | | | | |
| 000 | AA-0910 | Straight | Standard | 1/4 | 6 | 9/16 | 9/16 | 2 7/8 | 4 11/16 | 11 |
| 001 | AA-1211 | Straight | Standard | 7/16 | 11 | 3/4 | 1 1/32 | 2 7/8 | 4 11/16 | 12 |
| 002 | AA-1211-1 | 20° Bent Hsg.-RH | | | | | | | | 10 |
| 003 | AA-1211-2 | 20° Bent Hsg.-LH | | | | | | | | 10 |
| 004 | AB-1211 | Straight | | | | | | | | 1 0 |
| 005 | AB-1211-1 | 20° Bent Hsg.-RH | Extended 2" | 7/16 | 11 | 3/4 | 1 1/32 | 4 7/8 | 6 11/16 | 14 |
| 006 | AB-1211-2 | 20° Bent Hsg.-LH | | | | | | | | 14 |
| 007 | AA-1216 | Straight | Standard | 7/16 | 11 | 3/4 | 1/2 | 2 7/8 | 4 11/16 | 13 |
| 008 | AA-1216-1 | 20° Bent Hsg.-RH | | | | | | | | 12 |
| 009 | AA-1216-2 | 20° Bent Hsg.-LH | | | | | | | | 12 |
| 010 | AB-1216 | Straight | | | | | | | | 1 1 |
| 011 | AB-1216-1 | 20° Bent Hsg.-RH | Extended 2" | 7/16 | 11 | 3/4 | 1/2 | 4 7/8 | 6 11/16 | 1 0 |
| 012 | AB-1216-2 | 20° Bent Hsg.-LH | | | | | | | | 1 0 |
| 013 | AA-1311 | Straight | Standard | 1/2 | 13 | 13/16 | 1 1/32 | 2 7/8 | 4 11/16 | 12 |
| 014 | AA-1311-1 | 20° Bent Hsg.-RH | | | | | | | | 10 |
| 015 | AA-1311-2 | 20° Bent Hsg.-LH | | | | | | | | 10 |
| 016 | AB-1311 | Straight | | | | | | | | 1 0 |
| 017 | AB-1311-1 | 20° Bent Hsg.-RH | Extended 2" | 1/2 | 13 | 13/16 | 1 1/32 | 4 7/8 | 6 11/16 | 14 |
| 018 | AB-1311-2 | 20° Bent Hsg.-LH | | | | | | | | 14 |
| 019 | AA-1316 | Straight | Standard | 1/2 | 13 | 13/16 | 1/2 | 2 7/8 | 4 11/16 | 13 |
| 020 | AA-1316-1 | 20° Bent Hsg.-RH | | | | | | | | 12 |
| 021 | AA-1316-2 | 20° Bent Hsg.-LH | | | | | | | | 12 |
| 022 | AB-1316 | Straight | | | | | | | | 1 1 |
| 023 | AB-1316-1 | 20° Bent Hsg.-RH | Extended 2" | 1/2 | 13 | 13/16 | 1/2 | 4 7/8 | 6 11/16 | 1 0 |
| 024 | AB-1316-2 | 20° Bent Hsg.-LH | | | | | | | | 1 0 |

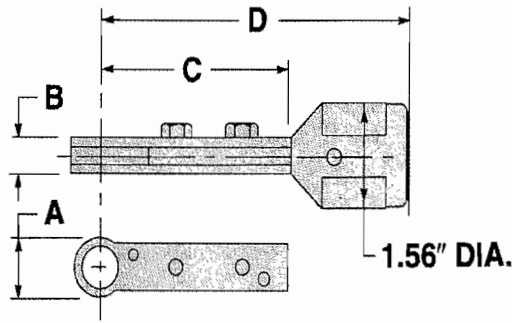
Ratchet Heads



Ratchet Heads

| Ratchet Head Code No. | Ratchet Head Part No. | Description | | Max. Hex Size | | Width A in. | Thick-ness B in. | Length C in. | Length D in. | Weight without Socket lb. oz. |
|-----------------------|-----------------------|------------------|-------------|---------------|----|-------------|------------------|--------------|--------------|-------------------------------|
| | | Type | Length | in. | mm | | | | | |
| 050 | BA-1211 | Straight | Standard | 7/16 | 11 | 3/4 | 1 1/32 | 2 7/8 | 4 15/16 | 14 |
| 051 | BA-1211-1 | 20° Bent Hsg.-RH | | | | | | | | 12 |
| 052 | BA-1211-2 | 20° Bent Hsg.-LH | | | | | | | | 12 |
| 053 | BB-1211 | Straight | Extended 2" | 7/16 | 11 | 3/4 | 1 1/32 | 4 7/8 | 6 15/16 | 1 2 |
| 054 | BB-1211-1 | 20° Bent Hsg.-RH | | | | | | | | 1 0 |
| 055 | BB-1211-2 | 20° Bent Hsg.-LH | | | | | | | | 1 0 |
| 056 | BA-1216 | Straight | Standard | 7/16 | 11 | 3/4 | 1/2 | 2 7/8 | 4 15/16 | 15 |
| 057 | BA-1216-1 | 20° Bent Hsg.-RH | | | | | | | | 14 |
| 058 | BA-1216-2 | 20° Bent Hsg.-LH | | | | | | | | 14 |
| 059 | BB-1216 | Straight | Extended 2" | 7/16 | 11 | 3/4 | 1/2 | 4 7/8 | 6 15/16 | 1 3 |
| 060 | BB-1216-1 | 20° Bent Hsg.-RH | | | | | | | | 1 2 |
| 061 | BB-1216-2 | 20° Bent Hsg.-LH | | | | | | | | 1 2 |
| 062 | BA-1311 | Straight | Standard | 1/2 | 13 | 13/16 | 1 1/32 | 2 7/8 | 4 15/16 | 14 |
| 063 | BA-1311-1 | 20° Bent Hsg.-RH | | | | | | | | 12 |
| 064 | BA-1311-2 | 20° Bent Hsg.-LH | | | | | | | | 12 |
| 065 | BB-1311 | Straight | Extended 2" | 1/2 | 13 | 13/16 | 1 1/32 | 4 7/8 | 6 15/16 | 1 2 |
| 066 | BB-1311-1 | 20° Bent Hsg.-RH | | | | | | | | 1 0 |
| 067 | BB-1311-2 | 20° Bent Hsg.-LH | | | | | | | | 1 0 |
| 068 | BA-1316 | Straight | Standard | 1/2 | 13 | 13/16 | 1/2 | 2 7/8 | 4 15/16 | 15 |
| 069 | BA-1316-1 | 20° Bent Hsg.-RH | | | | | | | | 14 |
| 070 | BA-1316-2 | 20° Bent Hsg.-LH | | | | | | | | 14 |
| 071 | BB-1316 | Straight | Extended 2" | 1/2 | 13 | 13/16 | 1/2 | 4 7/8 | 6 15/16 | 1 3 |
| 072 | BB-1316-1 | 20° Bent Hsg.-RH | | | | | | | | 1 2 |
| 073 | BB-1316-2 | 20° Bent Hsg.-LH | | | | | | | | 1 2 |

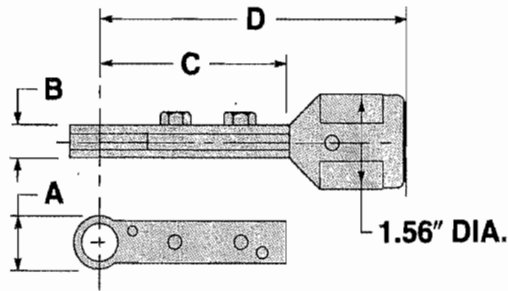
Ratchet Heads



Ratchet Heads

| Ratchet Head Code No. | Ratchet Head Part No. | Description | | Max. Hex Size | | Width A in. | Thick-ness B in. | Length C in. | Length D in. | Weight without Socket lb. oz. |
|-----------------------|-----------------------|------------------|-------------|---------------|----|-------------|------------------|--------------|--------------|-------------------------------|
| | | Type | Length | in. | mm | | | | | |
| 074 | BA-1413 | Straight | Standard | 1/2 | 14 | 7/8 | 13/32 | 3 1/8 | 5 1/4 | 15 |
| 075 | BA-1413-1 | 20° Bent Hsg.-RH | | | | | | | | 14 |
| 076 | BA-1413-2 | 20° Bent Hsg.-LH | | | | | | | | 14 |
| 077 | BB-1413 | Straight | Extended 2" | 1/2 | 14 | 7/8 | 13/32 | 5 1/8 | 7 1/4 | 1 3 |
| 078 | BB-1413-1 | 20° Bent Hsg.-RH | | | | | | | | 1 2 |
| 079 | BB-1413-2 | 20° Bent Hsg.-LH | | | | | | | | 1 2 |
| 080 | BA-1415 | Straight | Standard | 1/2 | 14 | 7/8 | 15/32 | 3 1/8 | 5 1/4 | 15 |
| 081 | BA-1415-1 | 20° Bent Hsg.-RH | | | | | | | | 14 |
| 082 | BA-1415-2 | 20° Bent Hsg.-LH | | | | | | | | 14 |
| 083 | BB-1415 | Straight | Extended 2" | 1/2 | 14 | 7/8 | 15/32 | 5 1/8 | 7 1/4 | 1 3 |
| 084 | BB-1415-1 | 20° Bent Hsg.-RH | | | | | | | | 1 2 |
| 085 | BB-1415-2 | 20° Bent Hsg.-LH | | | | | | | | 1 2 |
| 086 | BA-1418 | Straight | Standard | 1/2 | 14 | 7/8 | 9/16 | 3 1/8 | 5 1/4 | 1 0 |
| 087 | BA-1418-1 | 20° Bent Hsg.-RH | | | | | | | | 15 |
| 088 | BA-1418-2 | 20° Bent Hsg.-LH | | | | | | | | 15 |
| 089 | BB-1418 | Straight | Extended 2" | 1/2 | 14 | 7/8 | 9/16 | 5 1/8 | 7 1/4 | 1 4 |
| 090 | BB-1418-1 | 20° Bent Hsg.-RH | | | | | | | | 1 3 |
| 091 | BB-1418-2 | 20° Bent Hsg.-LH | | | | | | | | 1 3 |
| 092 | BC-1418 | Straight | Extended 3" | 1/2 | 14 | 7/8 | 9/16 | 6 1/8 | 8 1/4 | 1 7 |
| 093 | BC-1418-1 | 20° Bent Hsg.-RH | | | | | | | | 1 6 |
| 094 | BC-1418-2 | 20° Bent Hsg.-LH | | | | | | | | 1 6 |

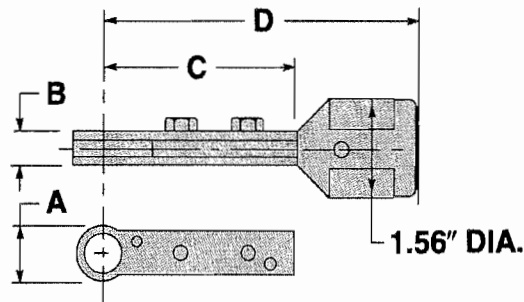
Ratchet Heads



Ratchet Heads

| Ratchet Head Code No. | Ratchet Head Part No. | Description | | Max. Hex Size | | Width A in. | Thick-ness B in. | Length C in. | Length D in. | Weight without Socket | |
|-----------------------|-----------------------|-------------------------|-------------|---------------|----|-------------|------------------|--------------|--------------|-----------------------|-----|
| | | Type | Length | in. | mm | | | | | lb. | oz. |
| 124 | BA-1613 | Straight | Standard | 5/8 | 16 | 1 | 13/32 | 3 1/8 | 5 1/4 | 1 | 2 |
| 125 | BA-1613-1 | 20° Bent Hsg.—RH | | | | | | | | 1 | 1 |
| 126 | BA-1613-2 | 20° Bent Hsg.—LH | | | | | | | | 1 | 1 |
| 127 | BB-1613 | Straight | Extended 2" | 5/8 | 16 | 1 | 13/32 | 5 1/8 | 7 1/4 | 1 | 5 |
| 128 | BB-1613-1 | 20° Bent Hsg.—RH | | | | | | | | 1 | 4 |
| 129 | BB-1613-2 | 20° Bent Hsg.—LH | | | | | | | | 1 | 4 |
| 130 | BA-1615 | Straight | Standard | 5/8 | 16 | 1 | 15/32 | 3 1/8 | 5 1/4 | 1 | 2 |
| 131 | BA-1615-1 | 20° Bent Hsg.—RH | | | | | | | | 1 | 1 |
| 132 | BA-1615-2 | 20° Bent Hsg.—LH | | | | | | | | 1 | 1 |
| 133 | BB-1615 | Straight | Extended 2" | 5/8 | 16 | 1 | 15/32 | 5 1/8 | 7 1/4 | 1 | 5 |
| 134 | BB-1615-1 | 20° Bent Hsg.—RH | | | | | | | | 1 | 4 |
| 135 | BB-1615-2 | 20° Bent Hsg.—LH | | | | | | | | 1 | 4 |
| 136 | BA-1618 | Straight | Standard | 5/8 | 16 | 1 | 9/16 | 3 1/8 | 5 1/4 | 1 | 2 |
| 137 | BA-1618-1 | 20° Bent Hsg.—RH | | | | | | | | 1 | 1 |
| 138 | BA-1618-2 | 20° Bent Hsg.—LH | | | | | | | | 1 | 1 |
| 139 | BA-1618-3 | 20° Bent Plates—RH | | | | | | | | 1 | 2 |
| 140 | BA-1618-4 | 20° Bent Plates—LH | | | | | | | | 1 | 2 |
| 141 | BA-1618-5 | 40° Bent Hsg./Plates—RH | | | | | | | | 1 | 1 |
| 142 | BA-1618-6 | 40° Bent Hsg./Plates—LH | 1 | 1 | | | | | | | |
| 143 | BB-1618 | Straight | Extended 2" | 5/8 | 16 | 1 | 9/16 | 5 1/8 | 7 1/4 | 1 | 5 |
| 144 | BB-1618-1 | 20° Bent Hsg.—RH | | | | | | | | 1 | 4 |
| 145 | BB-1618-2 | 20° Bent Hsg.—LH | | | | | | | | 1 | 4 |
| 146 | BB-1618-3 | 20° Bent Plates—RH | | | | | | | | 1 | 5 |
| 147 | BB-1618-4 | 20° Bent Plates—LH | | | | | | | | 1 | 5 |
| 148 | BB-1618-5 | 40° Bent Hsg./Plates—RH | | | | | | | | 1 | 4 |
| 149 | BB-1618-6 | 40° Bent Hsg./Plates—LH | 1 | 4 | | | | | | | |
| 150 | BC-1618 | Straight | Extended 3" | 5/8 | 16 | 1 | 9/16 | 6 1/8 | 8 1/4 | 1 | 8 |
| 151 | BC-1618-1 | 20° Bent Hsg.—RH | | | | | | | | 1 | 7 |
| 152 | BC-1618-2 | 20° Bent Hsg.—LH | | | | | | | | 1 | 7 |

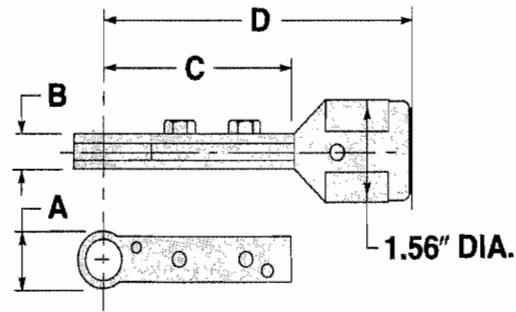
Ratchet Heads



Ratchet Heads

| Ratchet Head Code No. | Ratchet Head Part No. | Description | | Max. Hex Size | | Width A in. | Thick-ness B in. | Length C in. | Length D in. | Weight without Socket lb. oz. |
|-----------------------|-----------------------|-------------------------|-------------|---------------|----|-------------|------------------|--------------|--------------|-------------------------------|
| | | Type | Length | in. | mm | | | | | |
| 153 | BA-1813 | Straight | Standard | 5/8 | 16 | 1 1/8 | 13/32 | 3 3/8 | 5 1/4 | 1 2 |
| 154 | BA-1813-1 | 20° Bent Hsg.-RH | | | | | | | | 1 1 |
| 155 | BA-1813-2 | 20° Bent Hsg.-LH | | | | | | | | 1 1 |
| 156 | BB-1813 | Straight | Extended 2" | 5/8 | 16 | 1 1/8 | 13/32 | 5 1/8 | 7 1/4 | 1 5 |
| 157 | BB-1813-1 | 20° Bent Hsg.-RH | | | | | | | | 1 4 |
| 158 | BB-1813-2 | 20° Bent Hsg.-LH | | | | | | | | 1 4 |
| 159 | BA-1815 | Straight | Standard | 5/8 | 16 | 1 1/8 | 15/32 | 3 3/8 | 5 1/4 | 1 2 |
| 160 | BA-1815-1 | 20° Bent Hsg.-RH | | | | | | | | 1 1 |
| 161 | BA-1815-2 | 20° Bent Hsg.-LH | | | | | | | | 1 1 |
| 162 | BB-1815 | Straight | Extended 2" | 5/8 | 16 | 1 1/8 | 15/32 | 5 1/8 | 7 1/4 | 1 5 |
| 163 | BB-1815-1 | 20° Bent Hsg.-RH | | | | | | | | 1 4 |
| 164 | BB-1815-2 | 20° Bent Hsg.-LH | | | | | | | | 1 4 |
| 165 | BA-1818 | Straight | Standard | 5/8 | 16 | 1 1/8 | 9/16 | 3 3/8 | 5 1/4 | 1 2 |
| 166 | BA-1818-1 | 20° Bent Hsg.-RH | | | | | | | | 1 1 |
| 167 | BA-1818-2 | 20° Bent Hsg.-LH | | | | | | | | 1 1 |
| 168 | BA-1818-3 | 20° Bent Plates-RH | | | | | | | | 1 2 |
| 169 | BA-1818-4 | 20° Bent Plates-LH | | | | | | | | 1 2 |
| 170 | BA-1818-5 | 40° Bent Hsg./Plates-RH | | | | | | | | 1 1 |
| 171 | BA-1818-6 | 40° Bent Hsg./Plates-LH | 1 1 | | | | | | | |
| 172 | BB-1818 | Straight | Extended 2" | 5/8 | 16 | 1 1/8 | 9/16 | 5 1/8 | 7 1/4 | 1 5 |
| 173 | BB-1818-1 | 20° Bent Hsg.-RH | | | | | | | | 1 4 |
| 174 | BB-1818-2 | 20° Bent Hsg.-LH | | | | | | | | 1 4 |
| 175 | BB-1818-3 | 20° Bent Plates-RH | | | | | | | | 1 5 |
| 176 | BB-1818-4 | 20° Bent Plates-LH | | | | | | | | 1 5 |
| 177 | BB-1818-5 | 40° Bent Hsg./Plates-RH | | | | | | | | 1 4 |
| 178 | BB-1818-6 | 40° Bent Hsg./Plates-LH | 1 4 | | | | | | | |
| 179 | BC-1818 | Straight | Extended 3" | 5/8 | 16 | 1 1/8 | 9/16 | 6 1/8 | 8 1/4 | 1 8 |
| 180 | BC-1818-1 | 20° Bent Hsg.-RH | | | | | | | | 1 7 |
| 181 | BC-1818-2 | 20° Bent Hsg.-LH | | | | | | | | 1 7 |

Ratchet Heads



Ratchet Heads

| Ratchet Head Code No. | Ratchet Head Part No. | Description | | Max. Hex Size | | Width A in. | Thick-ness B in. | Length C in. | Length D in. | Weight without Socket | | |
|-----------------------|-----------------------|-----------------------|--------|---------------|-------|-------------|------------------|--------------|--------------|-----------------------|-----|---|
| | | Type | Length | in. | mm | | | | | lb. | oz. | |
| 211 | BA-2518 | Straight | | Standard | 15/16 | 24 | 19/16 | 9/16 | 3/4 | 53/8 | 1 | 4 |
| 212 | BA-2518-1 | 20° Bent Hsg.-RH | | | | | | | | | 1 | 3 |
| 213 | BA-2518-2 | 20° Bent Hsg.-LH | | | | | | | | | 1 | 3 |
| 214 | BA-2718 | Straight-Open End | | Standard | 3/4 | 19 | 111/16 | 9/16 | 3/8 | 51/4 | 1 | 3 |
| 215 | BA-2718-1 | 20° Bent Hsg.-RH O.E. | | | | | | | | | 1 | 2 |
| 216 | BA-2920 | Straight | | Standard | 11/8 | 29 | 113/16 | 5/8 | 31/2 | 55/8 | 1 | 6 |
| 217 | BA-2920-1 | 20° Bent Hsg.-RH | | | | | | | | | 1 | 5 |
| 218 | BA-2920-2 | 20° Bent Hsg.-LH | | | | | | | | | 1 | 5 |
| 219 | BA-3720 | Straight | | Standard | 15/8 | 29 | 25/16 | 5/8 | 33/4 | 57/8 | 1 | 9 |
| 220 | BA-3720-1 | 20° Bent Hsg.-RH | | | | | | | | | 1 | 8 |
| 221 | BA-3720-2 | 20° Bent Hsg.-LH | | | | | | | | | 1 | 8 |